

HARBOUR MASTERS REPORT 5th June 2024
Part 1

PMSC

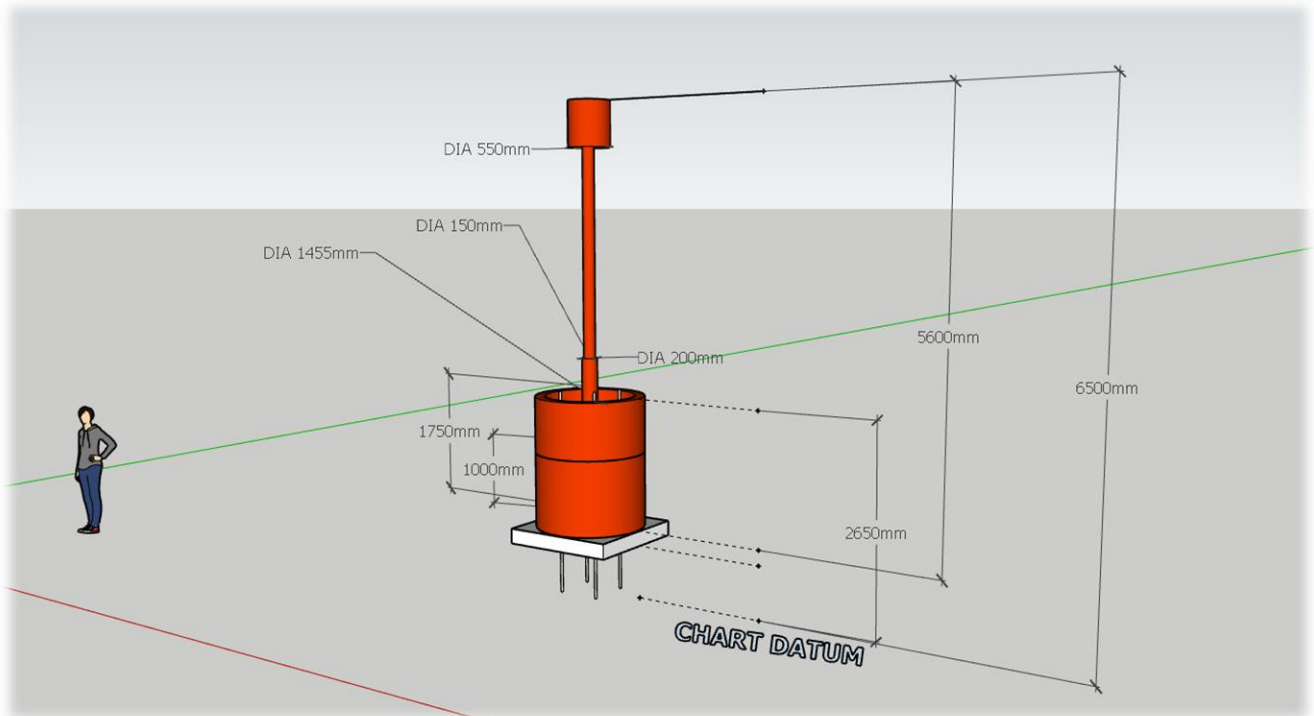
Standing position until report is available.

On the 21/3/2023 I am pleased to report that The MCA undertook a Port Marine Safety Code Health Check. We are still awaiting the report. I have sent request to the MCA for a potential delivery date. I have had confirmation that this report should be available in time for our next meeting.

Further to my last, there still has not been a report produced. I will continue to pressure.

NAVIGATION

Work has commenced on installing a perch on Mussel bank. To date the base has been installed and the materials for the next stage of the build have been sourced. We are awaiting a suitable tide to position the first concrete ring, before the bedrock can be drilled.





HARBOUR MASTERS REPORT 5th June 2024

Part 1

NtoMs

- 01-24 Perch Indefatigable
- 02-24 Cancel NtoM 15-21
- 03-24 Perch Indefatigable
- 04-24 C5 Off Station
- 05-24 C5 On Station
- 06-24 C1 On Station
- 07-24 C3 On Station
- 08-24 C2 On Station
- 09-24 C4 On Station
- 10-24 C2 Unlit
- 11-24 C1 Off Station
- 12-24 C1 On Station
- 13-24 C2 Lit
- 14-24 SWM On Station
- 15-24 Grampian Castle On Station
- 16-24 Aber Bridge, Gwyl Fwyd
- 17-24 Grampian Castle Unlit
- 18-24 Grampian Castle Off Station
- 19-24 Grampian Castle On Station



| YEAR | NOTICE TO MARINERS ISSUED |
|------|---------------------------|
| 2014 | 15 |
| 2015 | 13 |
| 2016 | 9 |
| 2017 | 28 |
| 2018 | 16 |
| 2019 | 29 |
| 2020 | 21 |
| 2021 | 38 |
| 2022 | 21 |
| 2023 | 20 |
| 2024 | 19 |



YMDDIRIEDOLAETH HARBWR CAERNARFON HARBOUR TRUST



HARBOUR MASTERS REPORT 5th June 2024

Part 1

Pilotage

An unusual amount of pilotage acts were undertaken over the spring tides early in May, with Four Cargos being catered for. Two inbound sand cargos transported by the Deo Gloria, and Two outbound Slate cargos transported by the Amadeus Dimond and the Amadeus Marinjn.

| VESSEL | DATE | FROM | TO |
|----------------|-----------|--------------|--------------|
| Amadeus Dimond | 05/05/24 | Port Penrhyn | Puffin |
| Amadeus Dimond | 06/05/24 | Puffin | Port Penrhyn |
| Deo Gloria | 07/5/24 | Port Penrhyn | Puffin |
| Deo Gloria | 07/5/24 | Puffin | Port Penrhyn |
| Deo Gloria | 08/05/24 | Port Penrhyn | Puffin |
| Deo Gloria | 08/05/24 | Puffin | Port Penrhyn |
| Amadeus Marijn | 08/05/24 | Port Penrhyn | Puffin |
| Amadeus Marijn | 09/05/024 | Puffin | Port Penrhyn |



Seiont IV

The vessel is afloat and ready for service.

Y Foryd

The vessel is afloat and ready for service. A new light bar and siren have been purchased and are awaiting installation.